

V-TAC

Meaningful Innovation.

WEEE Number: 80133970

INSTRUCTION MANUAL LED SOLAR STREETLIGHT

TECHNICAL DATA

MODEL	VT-ST42
SKU	95546, 5503, 5504
WATTS	40W
LUMENS	4800LM
LED CHIP	SMD2835*90PCS
SOLAR PANEL	21W / 13.5V, Mono-crystalline silicone material
LIFEPO4 BATTERY PACK	9.6V / 12000mAh, replaceable
IP RATING	IP65
BEAM ANGLE	140 x 70°-TPHII
DETECTION ANGLE	120°
DETECTION DISTANCE	8 - 12 Meters
PRODUCT DIMENSION	706.1 x 289.7 x 73.6mm
INSTALLATION HEIGHT	3 - 6 Meters
LIFESPAN	35,000 Hours



IP65
RATING

03
YEAR
WARRANTY*

INTRODUCTION & WARRANTY

Thank you for choosing and purchasing a V-TAC product. We are committed to providing you with the best service. Before you start the installation, please read these instructions carefully and keep this manual for future reference. If you have any questions, please contact the dealer or local vendor from whom you purchased the product. They are well-trained and ready to assist you. The product comes with a 3-year warranty from the date of purchase. However, the warranty does not cover damage caused by incorrect installation or abnormal wear and tear. The company does not provide a warranty for damage to any surface due to incorrect removal and installation of the product. This product is only warranted against manufacturing defects.

WARNING

- Once finishing the installation, remember to press the button on lamp to turn on the power.
- The light source of this luminaire is not replaceable, when the light source reaches its end of life the whole luminaire should be replaced.
- Installation must be performed by a certified person.



Points de collecte sur www.quefaire-demadecrecher.fr
Privatages la réparation ou le don de votre appareil.



**MULTI-LANGUAGE
MANUAL QR CODE**

Please scan the QR code to access the manual in multiple languages.



This marking indicates that this product should not be disposed of with other household wastes.

FEATURES:



Solar Powered



Multifunctional



Cordless



Light on/off
Automatically



ZERO Electricity Cost



Long Lighting
Time



Safe



DIY Working Modes



Battery Replaceable
in Brackets



IP65 Waterproof

WORKING MODES:



Lamp Button
On/Off

BUTTON CONTROL:

Please press the button on the lamp to select working modes.
Press 1st time for Mode A.
Press 2nd time for Mode B.
Press 3rd time for off.

REMOTE CONTROL:

Please press the button on the lamp first in order to activate the lamp and then use the remote control to adjust the working modes.

MODE A: CONSTANT LIGHTING MODE



Press button on the lamp 1st time or on the remote control, the lamp will automatically turn on at night and keep 60% brightness constantly for 4 hours(induction is invalid), then it turns to Sensor Mode.

MODE B: SENSOR MODE



Press button on the lamp 2nd time or on the remote control, the lamp will automatically turn on with 100% full brightness when motion is detected in the range ≤ 12 mtrs, then turns to 30% brightness in 20 seconds of no motion.

REMIND

- Above working modes are factory default settings, user can re-set it to: press button on the lamp 1st time for mode B and press 2nd time for mode A, meanwhile also can select different working time or brightness by remote control, after which it will automatically become the latest default working mode.
- Mode A and Mode B cannot be set to the Constant Lighting Mode at the same time, nor can they be set to the Sensor Mode at the same time.
- The lamp has memory function. After lamp restarted, it will continue to work in the latest default working mode.

DIY WORKING TIME AND BRIGHTNESS BY REMOTE CONTROL

Remote Control Distance: 12 Meters



Mode A (Constant Lighting Mode): time and brightness are both adjustable.

FOR EXAMPLE:

① Press button "Constant Lighting Mode";

② Press button "Time 2H";

③ Press button "Brightness 60%";

The lamp will flash one time after press each button above, which indicates it's set successfully as below: Lamp automatically turns on at night and keep 60% brightness for 2hrs, then it turns to Sensor Mode.

Mode B (Sensor Mode): only brightness(when activated by induction) is adjustable.

FOR EXAMPLE:

① Press button "Sensor Mode";

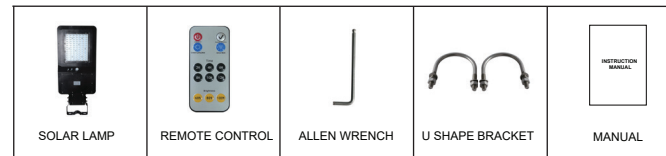
② Press button "Brightness 60%";

The lamp will flash one time after press each button above, which indicates it's set successfully as below: Lamp automatically turns on with 60% brightness when motion is detected in the range ≤ 12 mtrs, then turns to weak brightness (30% of 60% brightness) in 20 seconds of no motion.

NOTICE

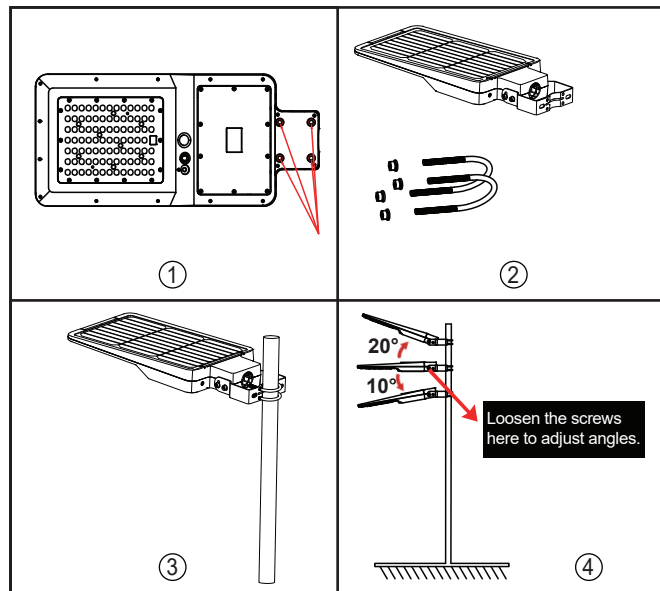
- The lamp button is power-off switch, lamp can get solar charged in any mode.
- This is a solar powered lamp, please install it in a location where can get enough sunshine.
- Please note the lighting time depends on the sunshine duration & weather.
- Built-in intelligent IC is with over-charge, over-discharge and over-voltage protection.
- The lamp gets solar charged at day time, and lights up automatically at dusk.
- The lamp is equipped with an internal battery pack, which is replaceable. If any need, please contact seller for correct new battery pack.
- Non-professionals please do not disassemble the lamp.
- Please do not dispose the battery with household garbage to avoid explosion.

PACKAGE CONTENT



INSTALLATION A: STRAIGHT POLE

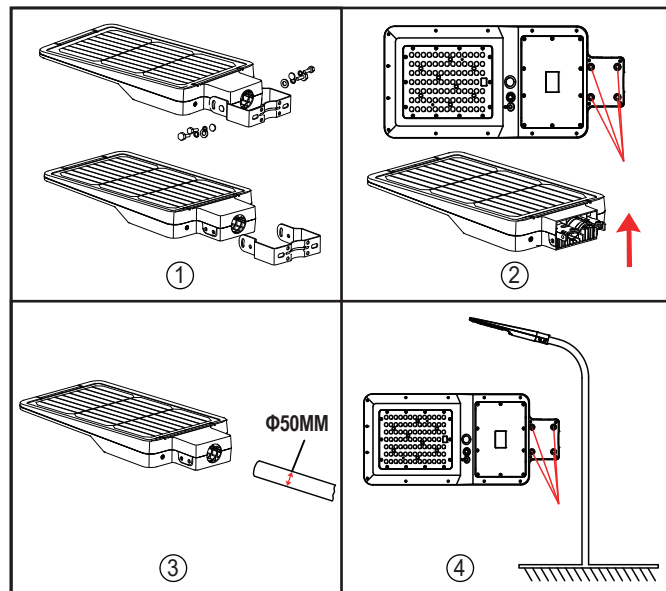
(Default installation method, accessories included)



- 1 Before starting the installation, ensure the 4 bottom screws are tightened.
- 2 Remove the gaskets of small U-shaped brackets, then insert them to lamp bracket across the straight pole.
- 3 Tighten the screws to fix lamp onto the pole (Suitable for poles with $\Phi 50-60\text{mm}$).
- 4 To adjust the angle of the lamp, loosen the screws from both sides of lamp (as shown in the above image) and adjust the lamp angle, adjustable by upwards 20° and downwards 10° . Then tighten the screws of the lamp.

INSTALLATION B: CURVED POLE

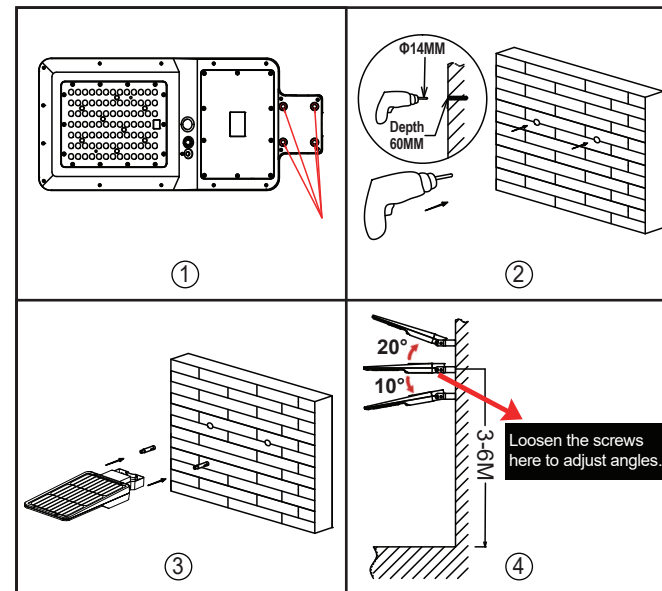
(Default installation method, accessories included)



- 1 Loosen the screws and remove the big U-shaped bracket.
- 2 Loosen the bottom screws to match the pole.
- 3 Install the lamp on the pole (Suitable for poles with $\Phi 50\text{mm}$).
- 4 Adjust the lamp and balance it, tighten the four screws to lock the lamp.

INSTALLATION C: WALL MOUNTED (OPTIONAL)

(Requirements for wall mounted installation: 2 pcs expansion screws M10*60mm (NOT Included in the packaging))



- 1 Before starting the installation, ensure the 4 bottom screws are tightened.
- 2 Drill 2 holes of $\phi 14\text{mm}$ with a depth of 60mm and hole distance 104mm on the wall.
- 3 Use 2 expansion screws to fix the lamp on the wall.
- 4 To adjust the angle of the lamp, loosen the screws from both sides of lamp (as shown in the above image) and adjust the lamp angle, adjustable by upwards 20° and downwards 10° . Then tighten the screws of the lamp.

IMPORTANT NOTES

- This product contains battery type "Primary" (non-rechargeable).
- Electrical and electronic equipment that has become waste is known as old equipment/device. Old devices must not be disposed of with other household waste.
- Owners of old devices at the end of its service life must return the device by taking them to the collection points set up by public waste disposal authorities or distributors. This return does not entail any costs for you.
- Owners of old devices have an obligation to remove accessible batteries / rechargeable batteries as well as non-destructively removable lamps from the old device prior to return. This does not apply if old devices are being prepared for reuse with the participation of a public law firm.
- Batteries removed from an old electronic device should be disposed of separately. This return of battery does not entail any costs for you and the user is obliged to return the battery.
- Please make sure that this product is not powered on when removing the battery. Fire hazard! Avoid short-circuiting the contacts of a detached battery. Do not incinerate the battery. Please handle the battery with Caution!
- If electrical appliances or batteries are disposed of in landfills or dumps, hazardous substances can leak into the groundwater and get into the food chain, damaging your health and well-being.



- The symbol of "Crossed rubbish bins" indicates that this product should not be disposed of with other household wastes and must be collected separately from unsorted municipal waste at the end of its service life.
- Please use the link below to view the online directory of the collection and return points: <https://www.ear-system.de/ear-verzeichnis/sammel-und-ruecknahmestellen>



IN CASE OF ANY QUERY/ISSUE WITH THE PRODUCT, PLEASE REACH OUT TO US AT: SUPPORT@V-TAC.EU
FOR MORE PRODUCTS RANGE, INQUIRY PLEASE CONTACT OUR DISTRIBUTOR OR NEAREST DEALERS: V-TAC EUROPE LTD, BULGARIA, PLOVDIV 4000, BULL. KARAVELOV 9B