



Meaningful Innovation.

WEEE Number: 80133970

INSTRUCTION MANUAL

INFRARED MOTION SENSOR

TECHNICAL DATA

MODEL	VT-81009
SKU	23425
INPUT VOLTAGE	AC: 220-240V, 50/60 Hz
RATED LOAD	Max. 500W 200W +LED
TIME DELAY	Min. 10sec ±3sec Max. 7min ±2min
DETECTION RANGE	120°
DETECTION DISTANCE	10m Max (<24° C)
DETECTION MOTION SPEED	0.6-1.5m/s
WORKING TEMPERATURE	-20°C to +40°C
WORKING HUMIDITY	<93%RH
AMBIENT LIGHT	<3-2000 LUX (Adjustable)
IP RATING	IP20



COMPATIBLE WITH

V-TAC LED
 RANGE (UPTO 200W)

05 YEAR
 WARRANTY*

POWER CONSUMPTION	approx 0.9w
INSTALLATION HEIGHT	1-1.8m
CUTOUT SIZE	XXXX
DIMENSION	80x80x43.5 mm

INTRODUCTION & WARRANTY

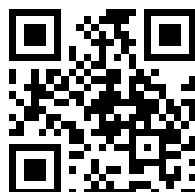
Thank you for selecting and buying V-TAC product. V-TAC will serve you the best. Please read these instructions carefully before starting the installation and keep this manual handy for future reference. If you have any another query, please contact our dealer or local vendor from whom you have purchased the product. They are trained and ready to serve you at the best. The warranty is valid for 5 years from the date of purchase. The warranty does not apply to damage caused by incorrect installation or abnormal wear and tear. The company gives no warranty against damage to any surface due to incorrect removal and installation of the product.



Caution, risk of electric shock.



This marking indicates that this product should not be disposed of with other household wastes.



MULTI-LANGUAGE MANUAL QR CODE

Please scan the QR code to access the manual in multiple languages.



FR
 Cet appareil,
 ses accessoires
 et cordons
 se recyclent

À DÉPOSER
 EN MAGASIN

À DÉPOSER
 EN DÉCHÈTERIE



OU



Points de collecte sur www.quefairedemesdechets.fr
 Privilégiez la réparation ou le don de votre appareil !

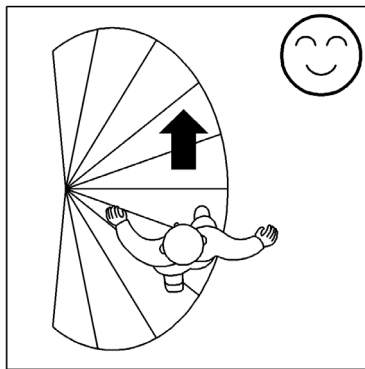
In case of any query/issue with the product, please reach out to us at: support@v-tac.eu
 For More products range, inquiry please contact our distributor or nearest dealers.
 V-TAC EUROPE LTD. Bulgaria, Plovdiv 4000, bul.L.Karavelow 9B

WARNING

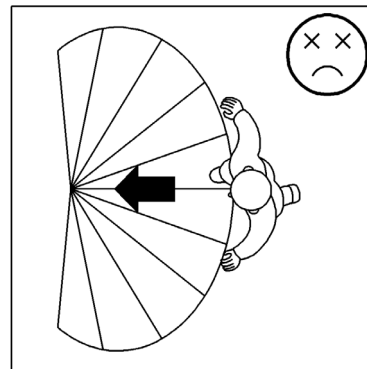
1. Please make sure to turn off the power before starting the installation.
2. Installation must be performed by a qualified electrician.
3. Cover or shield any adjacent live components.
4. For indoor use only.

FUNCTION

1. Can identify day and night: The consumer can adjust working state in different ambient light. It can work in the daytime and at night when it is adjusted on the “sun” position (max). It can work in the ambient light less than 3LUX when it is adjusted on the “moon” position (min). As for the adjustment pattern, please refer to the testing pattern.
2. Time-Delay is added continually: When it receives the second induction signals within the first induction, it will restart to time from the moment.
3. The switch: “ON”, “OFF”, “PIR”.



Good Sensitivity

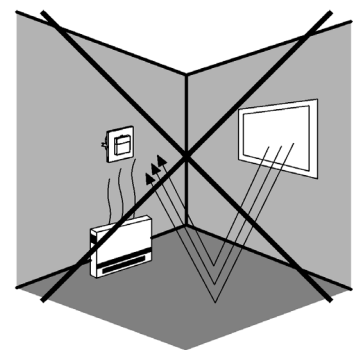
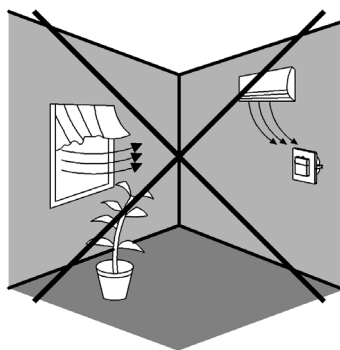
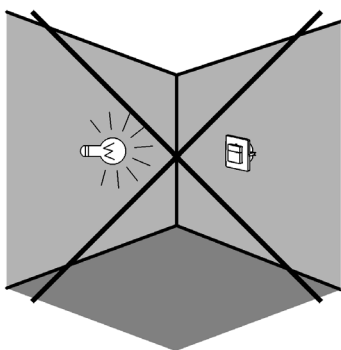


Poor Sensitivity

INSTALLATION ADVICE

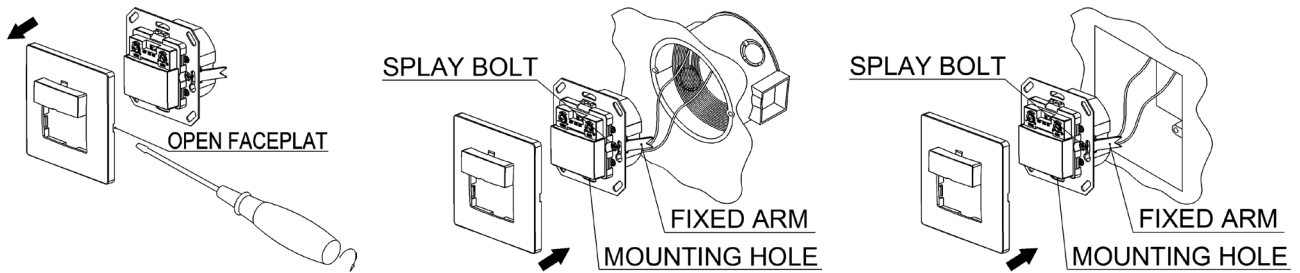
As the detector responds to changes in temperature, avoid the following situations:

- Avoid pointing the detector towards objects with highly reflective surfaces, such as mirrors etc.
- Avoid mounting the detector near heat sources, such as heating vents, air conditioning units, light etc.
- Avoid pointing the detector towards objects that may move in the wind, such as curtains, tall plants etc.

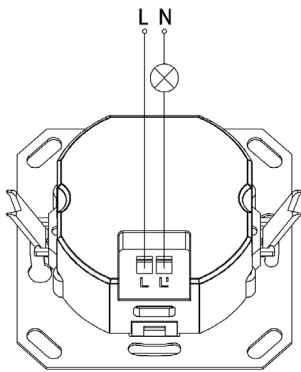


CONNECTION

- Unload the faceplate of sensor and adjust the time and LUX knob.(refer to figure 1)
- Loose the screws in the connection terminal, and then connect the power to connection terminal of sensor according to connection-wire diagram.
- If you want to install it in circular hole, put the sensor into the hole and tighten the splay bolt on both sides (refer to figure 2). If you want to install in quadrate hole, put the sensor into the hole, fix the screw through the mounting hole (refer to figure 3).
- Install back the faceplate, switch on the power and then test it.

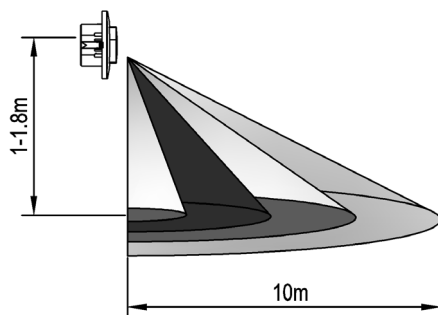


WIRING DIAGRAM

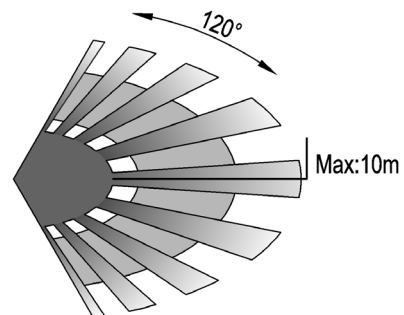


DO NOT PUT THE SENSOR INTO POWER DIRECTLY!

SENSOR INFORMATION



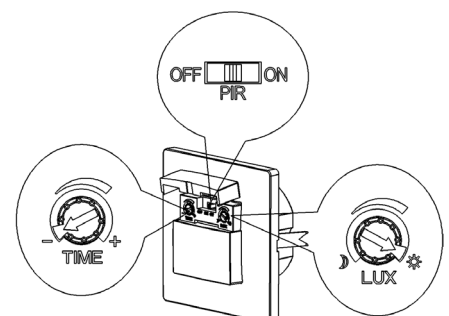
Height of Installation: 1-1.8m



DETECTION DISTANCE: Max. 10m

TEST

- Set the function switch to "ON", set "TIME" anti-clockwise to minimum (-), "LUX" clockwise to maximum (sun).
- Switch on the power, the lamp should be on.
- Set the function switch to "OFF", the lamp should be off immediately.
- Set the function switch to "PIR", Switch on the power; the sensor and its connected lamp will have no signal



at the beginning. After Warm-up 30sec, the sensor can start work. If the sensor receives the induction signal, the lamp will turn on. While there is no another induction signal any more, the load should stop working within $10\text{sec} \pm 3\text{sec}$ and the lamp would turn off.

- Set "LUX" anti-clockwise to minimum (moon), if the ambient light is more than 3LUX, the inductor load should not work after the load stop working. If the ambient light is less than 3LUX (darkness), the sensor would work. Under no induction signal condition, the load should stop working within $10\text{sec} \pm 3\text{sec}$.

Note: when testing in daylight, please turn LUX knob to ☀ (SUN) position, Otherwise the sensor lamp will not work.

TROUBLESHOOTING

- **The load does not work:**

- a. Please check if the connection of power source and load is correct.
- b. Please check if the load is good.
- c. Please check if the settings of working light correspond to ambient light.

- **The sensitivity is poor:**

- a. Please check if there is any hindrance in front of the detector to affect it to receive the signals.
- b. Please check if the ambient temperature is too high.
- c. Please check if the induction signal source is in the detection field.
- d. Please check if the installation height corresponds to the height required in the instruction.
- e. Please check if the moving orientation is correct.

- **The sensor can not shut off the load automatically:**

- a. Please check if there is continual signal in the detection field.
- b. Please check if the time delay is set to the maximum position.

RoHS



UK
CA

