



Meaningful Innovation.

WEEE Number: 80133970

INSTRUCTION MANUAL

LED WATERPROOF LAMP FITTING



IP65
RATING

03 YEAR
WARRANTY*

TECHNICAL DATA

MODEL	VT-6076S	VT-1249S	VT-1574S
SKU	2162821, 2162831	2162841, 2162851	2162861, 2162871
WATTS	18W	36W	48W
LUMENS	2160 Lm	4320 Lm	5760 Lm
BEAM ANGLE	120°	120°	120°
DF	≥0.7	≥0.9	≥0.9
CRI	≥80	≥80	≥80
INPUT POWER	AC:200-240, 50/60Hz	AC:200-240, 50/60Hz	AC:200-240, 50/60Hz
LIFE SPAN	25,000 Hours	25,000 Hours	25,000 Hours
ON/OFF CYCLE	>15,000 Times	>15,000 Times	>15,000 Times
MAX CONNECTABLE UNITS	16	8	6
DRIVER MA (Input Current)	100mA	200mA	265mA
OPERATING TEMPERATURE	-20°C to 40°C	-20°C to 40°C	-20°C to 40°C
MATERIAL	PC	PC	PC
DIMENSION	600x66x58mm	1200x66x58mm	1500x66x58mm

INTRODUCTION & WARRANTY

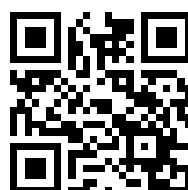
Thank you for selecting and buying V-TAC product. V-TAC will serve you the best. Please read these instructions carefully before starting the installation and keep this manual handy for future reference. If you have any another query, please contact our dealer or local vendor from whom you have purchased the product. They are trained and ready to serve you at the best. The warranty is valid for 3 years from the date of purchase. The warranty does not apply to damage caused by incorrect installation or abnormal wear and tear. The company gives no warranty against damage to any surface due to incorrect removal and installation of the product. This product is warranted for manufacturing defects only.



This marking indicates that this product should not be disposed of with other household wastes.



Caution, risk of electric shock.



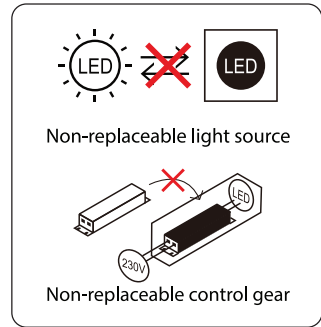
MULTI-LANGUAGE MANUAL QR CODE

Please scan the QR code to access the manual in multiple languages.

In case of any query/issue with the product, please reach out to us at: support@v-tac.eu
For More products range, inquiry please contact our distributor or nearest dealers.
V-TAC EUROPE LTD. Bulgaria, Plovdiv 4000, bul.L.Karavelow 9B

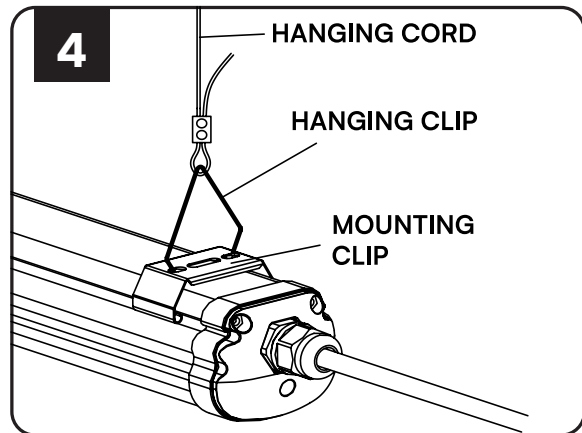
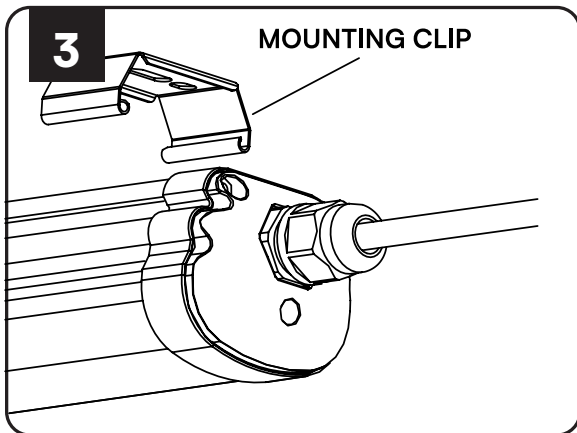
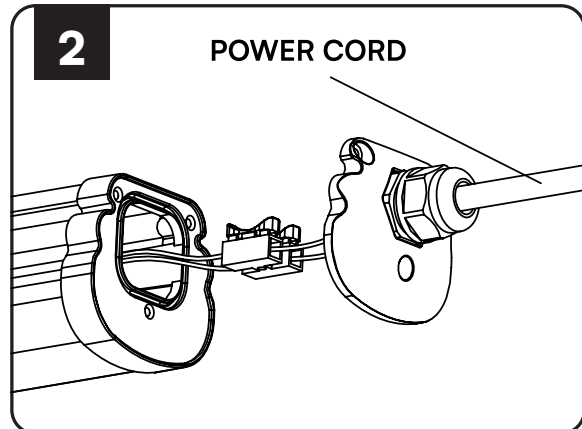
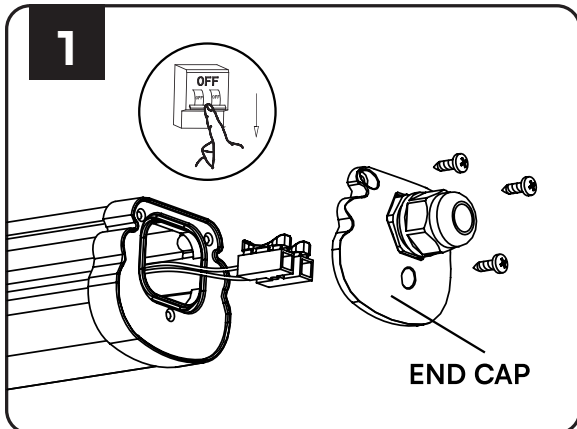
WARNING

1. Please make sure to turn off the power before starting the installation.
2. Installation must be performed by a qualified electrician.
3. The light source of this luminaire is not replaceable; when the light source reaches its end of life the whole luminaire shall be replaced.
4. If the external flexible cable or cord of this luminaire is damaged, it shall be exclusively replaced by the manufacturer or his service agent or a similar qualified person in order to avoid a hazard.
5. Terminal block not included. To be connected with Waterproof Cable Hose
6. For indoor use and outdoor use.

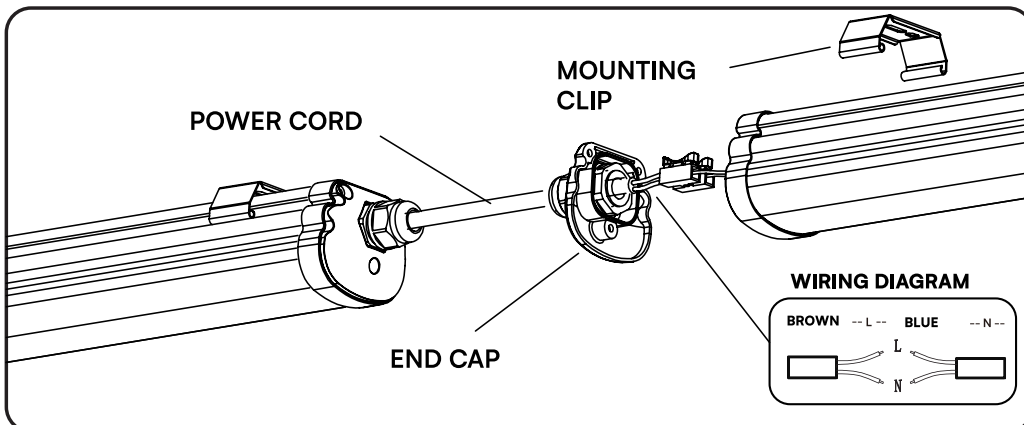


INSTALLATION INSTRUCTION

1. Switch OFF the power before starting the installation.
2. Fasten the two mounting clips to installation surface.
3. Open end cap and take out the connector (FIG 1).
4. Link to power source (FIG 2).
5. Cover back end cap
6. Install the lamp to the mounting clips (FIG 3).
7. Hanging installation type reference (FIG 4).
8. Switch ON the power to test the light.



LINKABLE CONNECTION



FR

Cet appareil, ses accessoires et cordons se recyclent

À DÉPOSER EN MAGASIN



OU À DÉPOSER EN DÉCHÈTERIE



Points de collecte sur www.quefairemedechets.fr
Privilégiez la réparation ou le don de votre appareil !

RoHS



UK
CA

