



Meaningful Innovation.

WEEE Number: 80133970

INSTRUCTION MANUAL

LED LINEAR WALL LIGHT



02 **YEAR** **WARRANTY*** **IP65** **RATING**

TECHNICAL DATA

MODEL	VT-1178
SKU	10436, 10437 10438, 10439
LUMENS	2875 Lm @Sphere360°
WATTS	23W
BEAM ANGLE	150°
CRI	>90
ON/OFF CYCLE	>15,000 Times

LIFE SPAN	20,000 Hours
BODY TYPE	Aluminium
WIRE LENGTH	1.5 Meter Wire
OPERATION TEMPERATURE	-20°C to +40°C
INPUT POWER	AC: 200-240V, 50/60Hz
DIMENSION	1410x60x50mm

INTRODUCTION & WARRANTY

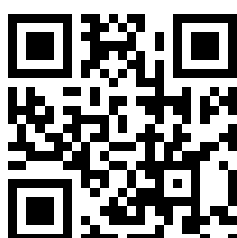
Thank you for selecting and buying V-TAC product. V-TAC will serve you the best. Please read these instructions carefully before starting the installation and keep this manual handy for future reference. If you have any other query, please contact our dealer or local vendor from whom you have purchased the product. They are trained and ready to serve you at the best. The warranty is valid for 2 years from the date of purchase. The warranty does not apply to damage caused by incorrect installation or abnormal wear and tear. The company gives no warranty against damage to any surface due to incorrect removal and installation of the product. The products are suitable for 10-12 Hours Daily operation. Usage of product for 24 Hours a day would void the warranty. This product is warranted for manufacturing defects only.



This marking indicates that this product should not be disposed of with other household wastes.



Caution, Risk of electric shock



MULTI-LANGUAGE MANUAL QR CODE

Please scan the QR code to access the manual in multiple languages.

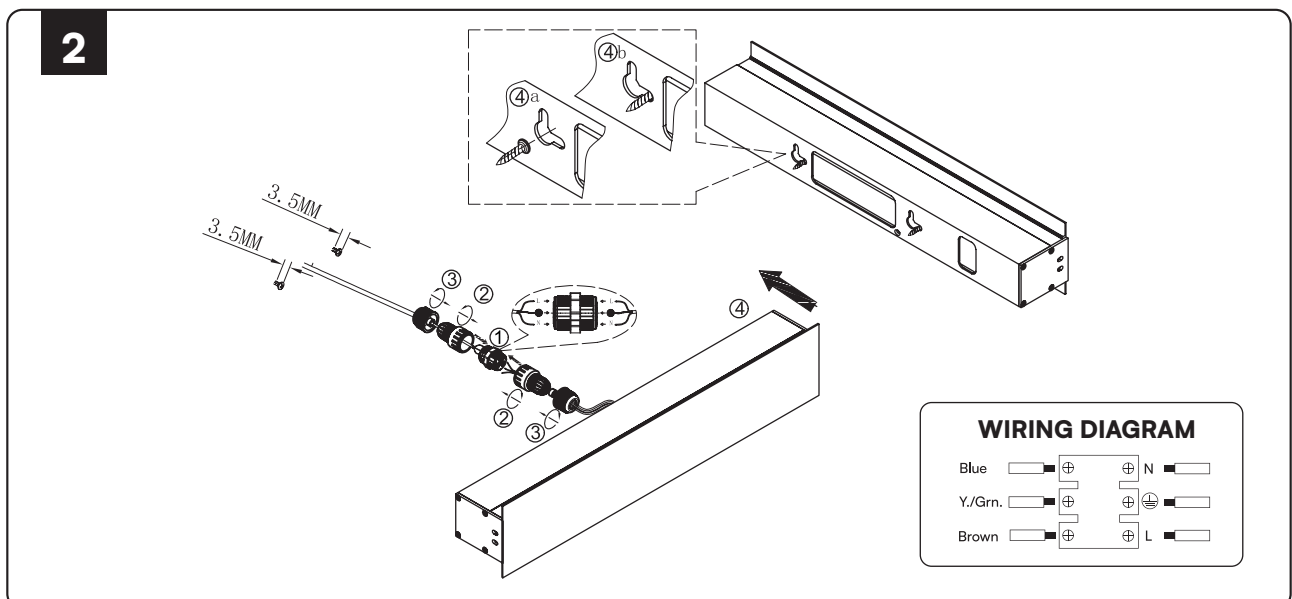
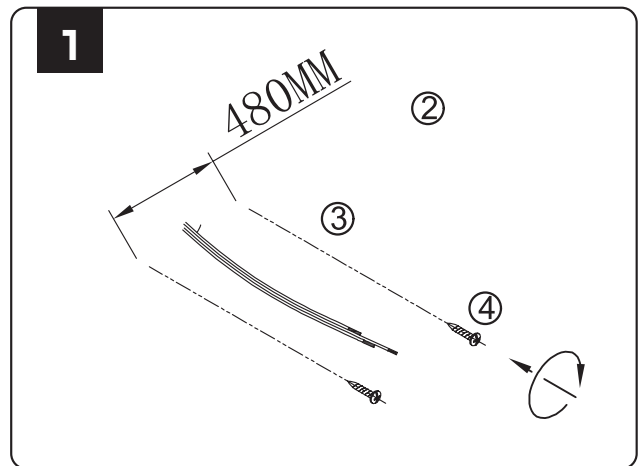
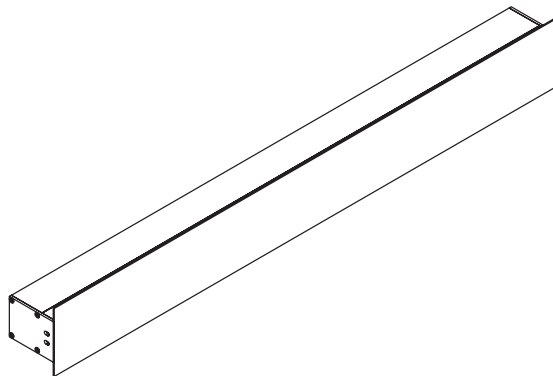
In case of any query/issue with the product, please reach out to us at: support@v-tac.eu
For More products range, inquiry please contact our distributor or nearest dealers.
V-TAC EUROPE LTD. Bulgaria, Plovdiv 4000, bul.L.Karavelow 9B

WARNING

1. Please make sure to turn off the power before starting the installation.
2. Installation should be done by certified electrician.
3. If the external flexible cable or cord of this luminaire is damaged, it shall be exclusively replaced by the manufacturer or his service agent or a similar qualified person in order to avoid a hazard.
4. Proper grounding should be ensured throughout the installation.

INSTALLATION INSTRUCTIONS

- Turn off the power.
- Mark the desired position on the wall as per the diagram.
- Drill holes and fix the screws on the wall (screws not included).
- Connect the wires as per the diagram provided.
- Fix the linear light on the mounted screws.
- Turn on the power and test the light.



RoHS



UK
CA

