



Meaningful Innovation.

WEEE Number: 80133970

INSTRUCTION MANUAL

MAGNETIC LIGHTS



VT-4225
MAGNETIC LINEAR SPOT
LIGHT - SLIM



VT-4212
MAGNETIC LINEAR SPOT
LIGHT - SLIM



VT-4222
MAGNETIC LINEAR SPOT
LIGHT - SLIM



VT-4214
MAGNETIC PENDANT LIGHT



VT-4211, VT-4218, VT-42022
MAGNETIC LINEAR LIGHT - SLIM



VT-42025
MAGNETIC LINER LIGHT - L
SHAPE



VT-4205
MAGNETIC LINEAR SPOT
LIGHT - ADJUSTABLE ANGLE



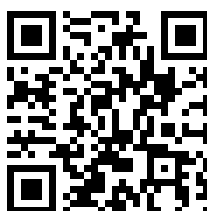
VT-42012
MAGNETIC LINEAR SPOT
LIGHT - ADJUSTABLE ANGLE



VT-42010, VT-4221
MAGNETIC TRACK LIGHT - SLIM

INTRODUCTION & WARRANTY

Thank you for selecting and buying V-TAC product. V-TAC will serve you the best. Please read these instructions carefully before starting the installation and keep this manual handy for future reference. If you have any another query, please contact our dealer or local vendor from whom you have purchased the product. They are trained and ready to serve you at the best. The warranty is valid for 3 years from the date of purchase. The warranty does not apply to damage caused by incorrect installation or abnormal wear and tear. The company gives no warranty against damage to any surface due to incorrect removal and installation of the product. The products are suitable for 10-12 Hours Daily operation. Usage of product for 24 Hours a day would void the warranty. This product is warranted for manufacturing defects only.



MULTI-LANGUAGE MANUAL QR CODE

Please scan the QR code to
access the manual in multiple languages.

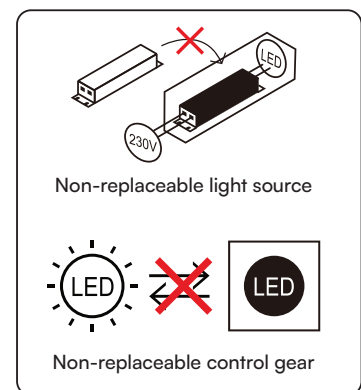
In case of any query/issue with the product, please reach out to us at: support@v-tac.eu
For More products range, inquiry please contact our distributor or nearest dealers.
V-TAC EUROPE LTD. Bulgaria, Plovdiv 4000, bul.L.Karavelow 9B

TECHNICAL DATA

MODEL	SKU	INPUT VOLTAGE	POWER	LUMENS	BEAM ANGLE	CRI	IP RATING	BODY TYPE	DIMENSION
VT-4225	10233 10234 10235	DC 48V	5W	550 Lm	39°	80	IP20	Aluminium	24x160x26mm
VT-4212	10236 10237 10238	DC 48V	12W	1100 Lm	35°	80	IP20	Aluminium	24x273x26mm
VT-4222	10239 10240 10241	DC 48V	22W	1900 Lm	35°	80	IP20	Aluminium	24x501x26mm
VT-4211	10242 10243 10244	DC 48V	14W	1500 Lm	82°	80	IP20	Aluminium	24x278x26mm
VT-4218	10245 10246 10247	DC 48V	18W	2000 Lm	82°	80	IP20	Aluminium	24x378x26mm
VT-42022	10248 10249 10250	DC 48V	22W	2500 Lm	81°	80	IP20	Aluminium	24x615x26mm
VT-42010	10251 10252 10253	DC 48V	11W	1300 Lm	34°	80	IP20	Aluminium	176x128x46mm
VT-4221	10254 10255 10256	DC 48V	20W	2200 Lm	34°	80	IP20	Aluminium	210x128x56mm
VT-4205	10257 10258 10259	DC 48V	5W	600 Lm	34°	80	IP20	Aluminium	52x145x33mm
VT-42012	10260 10261 10262	DC 48V	12W	1300 Lm	34°	80	IP20	Aluminium	52x260x33mm
VT-4214	10263 10264 10265	DC 48V	15W	1600 Lm	30°	80	IP20	Aluminium	1155x125x40mm
VT-42025	10266 10267 10268	DC 48V	25W	2850 Lm	82°	80	IP20	Aluminium	24x280x255mm

WARNING

1. Please make sure to turn off the power before starting the installation.
2. Installation must be performed by a certified person.
3. Proper grounding should be ensured throughout the installation.
4. Do not connect with AC 220V directly. Use DC 48V transformer.
5. For Indoor use only

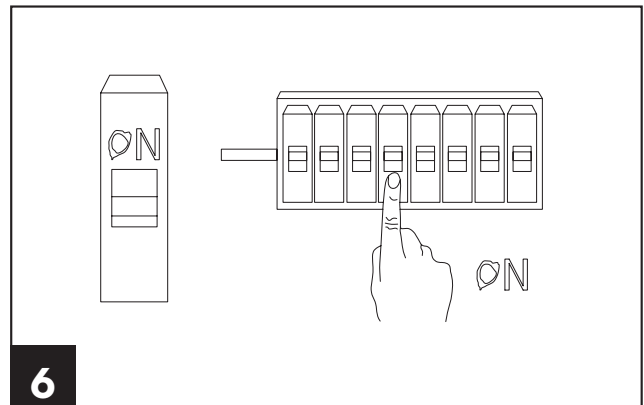
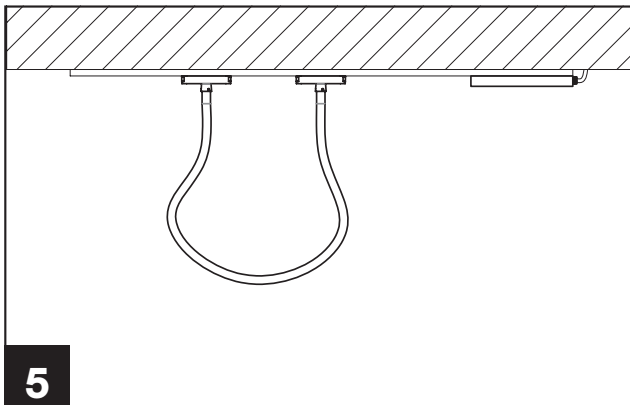
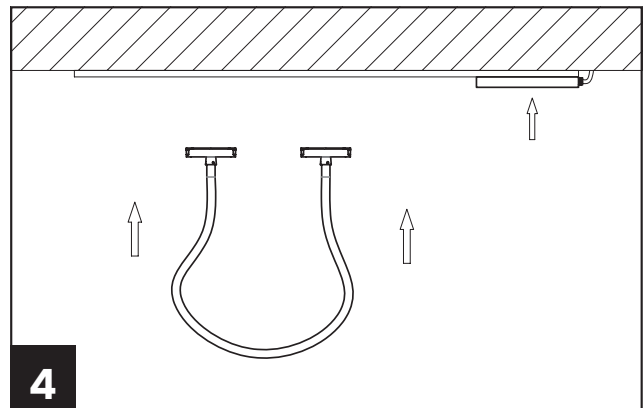
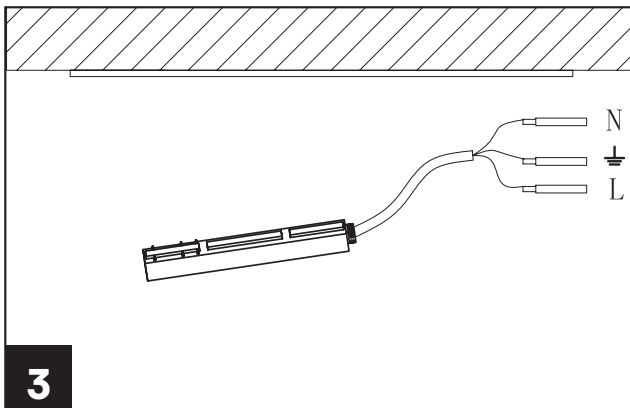
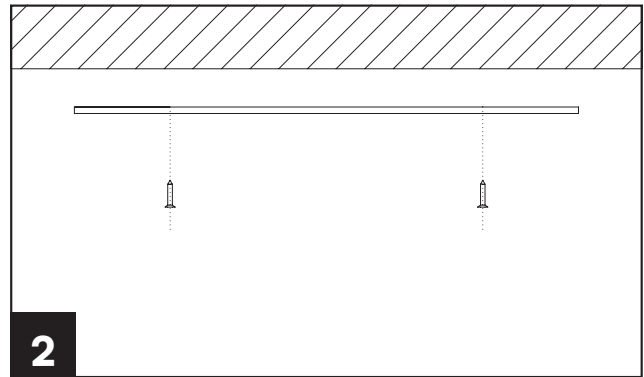
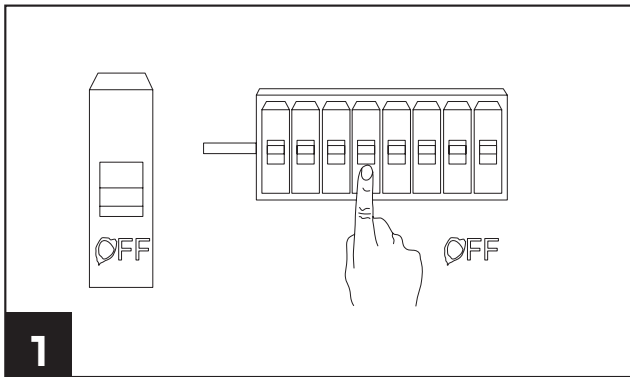


This marking indicates that this product should not be disposed of with other household wastes.



Caution, Risk of electric shock

INSTALLATION DIAGRAM



INSTALLATION INSTRUCTION

1. Turn off the power.
2. Drill a hole on the wall and insert the expansion plug into the holes.
3. Fix the rail on the wall using screws. (Figure).
4. Connect DC 48V power supply with the main supply. (Figure 3).
5. Install the luminaire on the track rail.
6. Switch on and test.

RoHS



UK
CA

