

## INSTALLATION INSTRUCTION

VT-4534  
LED TRACK LIGHT

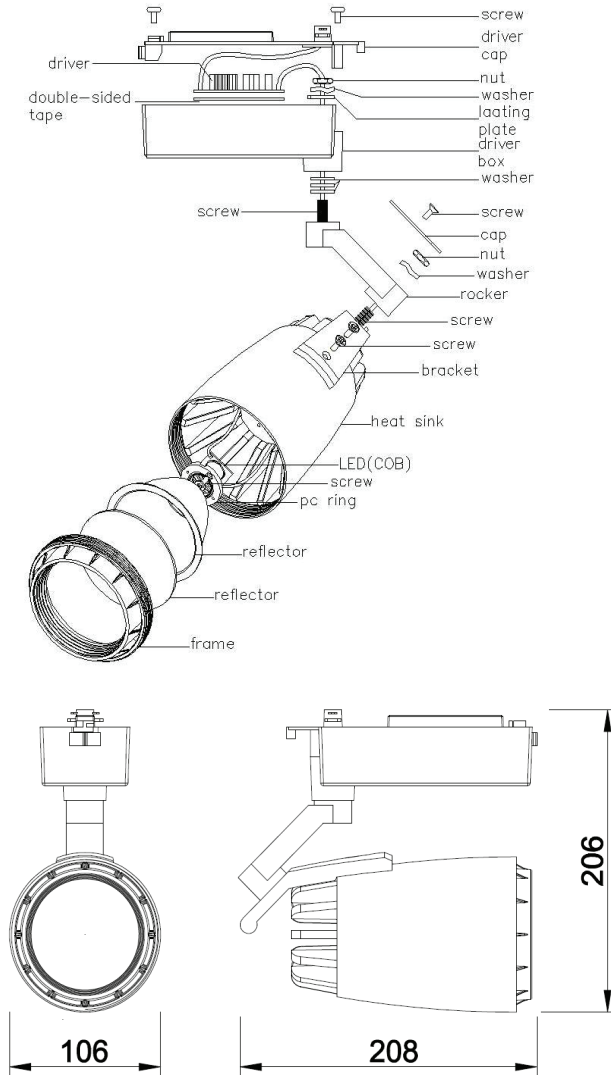


### **INTRODUCTION**

Thank you for selecting and buying V-TAC LED product. V-TAC will serve you the best. Please read these instructions carefully before starting the installing and keep this manual handy for future reference. If you have any other query, please contact our dealer or local vendor from whom you have purchased the product. They are trained and ready to serve you at the best.

---

### STRUCTURE AND SIZE



## PERFORMANCE & PARAMETER OF PRODUCT

performance parameter	lamp	warm white	natural white	cool white
	lumen (lm)	2300 lm	2350 lm	2400 lm
	color temperature (K)	3000K	4000K	5000K
	CRI	≥80		
	type of LED	COB LED		
	beam angle	22°		
	decay rate (%)	less than 3% within 1000 working hours		
	total power (W)	32-35W		
	lifespan (Hrs)	≥30000Hrs		
	high voltage testing	1750Vac/1min		
LED parameter	lighting efficiency	100LM/W		
	chip quantity	72PCS		
	series-parallel way	12S6P		
	voltage	30-40VDC		
	current	900mA		
driver parameter	input parameter	100~240VAC, 50/60Hz		
	power factor	0.9		
	output parameter	30-42VDC, 900mA		
structure parameter	material	Cast-Aluminium		
	dimension	208*160*206mm		
	cut-out	/		
	protection class	calss II		
	IP	IP20		
environment parameter	application	hotel, home-lighting, recreation place, supermarket, office building		
	operating temperature	-25℃ ~ 50℃, 10% ~ 90% R.H.		
	storage temperature	-30℃ ~ 85℃, 0% ~ 95% R.H.		
packing specification	Qty/Ctn	carton size	N. W	G. W
	8PCS/Ctn			

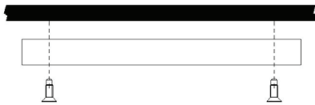
**INSTALLATION INSTRUCTION**

4. Turn adaptor slide switch. (see below pic. 3)

5. Fix the lamp into track (see below pic. 4), lift up the lamp and turn adaptor slide switch. (see below pic. 5)

6. Switch on the power if above steps done properly without any mistakes.

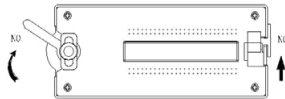
1



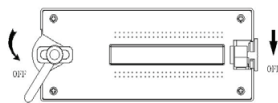
2



3



5



4

