

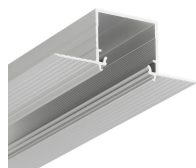
LED PROFILE LINEA-IN20 TRIMLESS EE7F 1000 ANOD.



Architectural



Recessed



- for spackle flange mounting
- Slick socket - easy assembly technology
- continuous line of light (when using LED strip 120 P/m and opal diffuser)



EU industrial designs



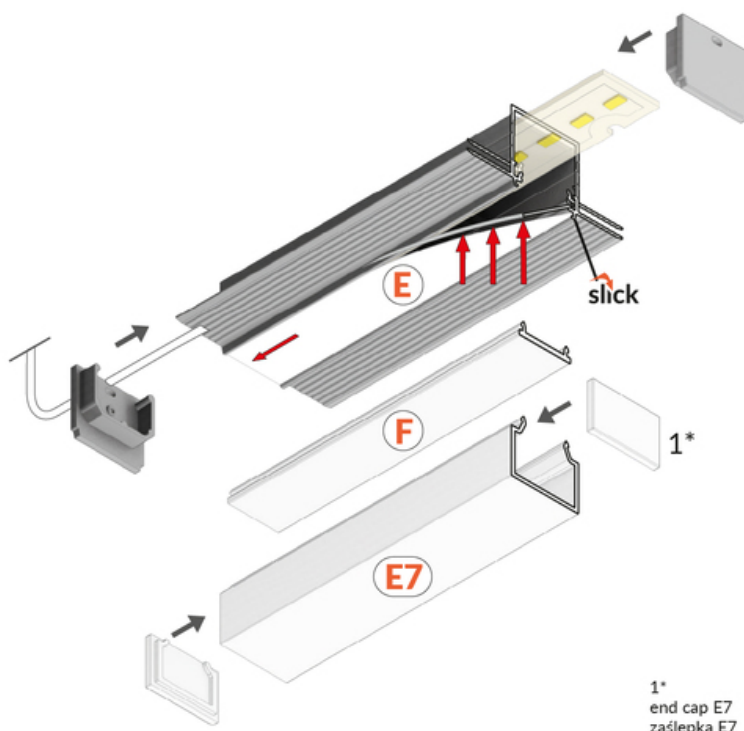
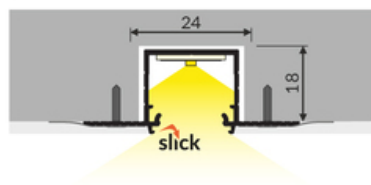
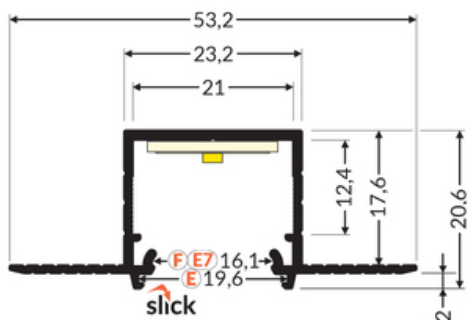
CE



Made in Poland



Buy product

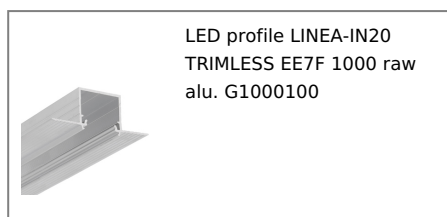




Basic Informations

<p>EAN: 5901597258056 Index: G1000120 Material: aluminium Color: anodized Length [mm]: 1000 Weight [kg]: 0.284 Country of origin: PL</p>	<p>Measurement unit: qty Product packaging dimensions [mm]: 1000 x 53,2 x 20,6 Bulk packing [qty]: 20 Master packaging type: Bulk Product with gross packaging weight [kg]: 5.68</p>
--	--

AVAILABLE COLORS

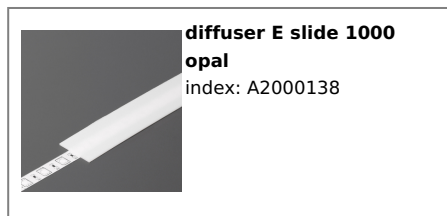
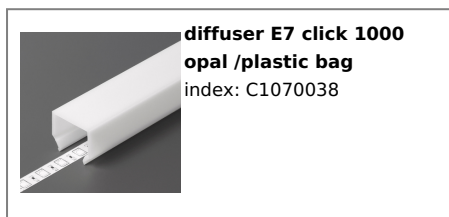


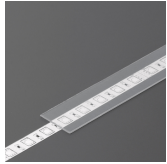
AVAILABLE VARIANTS

1000 mm, 2000 mm, 3000 mm, 4050 mm

Matching elements

DIFFUSERS





**diffuser E slide 1000
transparent**
index: A2000116

END CAPS



**end cap LINEA-IN20
TRIMLESS with hole grey
[20pcs]**
index: G1000522



**end cap LINEA-IN20
TRIMLESS with hole
silver [20pcs]**
index: G1000540

OTHER



**LED clamp LINEA20
white painted [20pcs]**
index: C6940001



**LINEA20-1 LED clamp
white [20pcs]**
index: C6930001