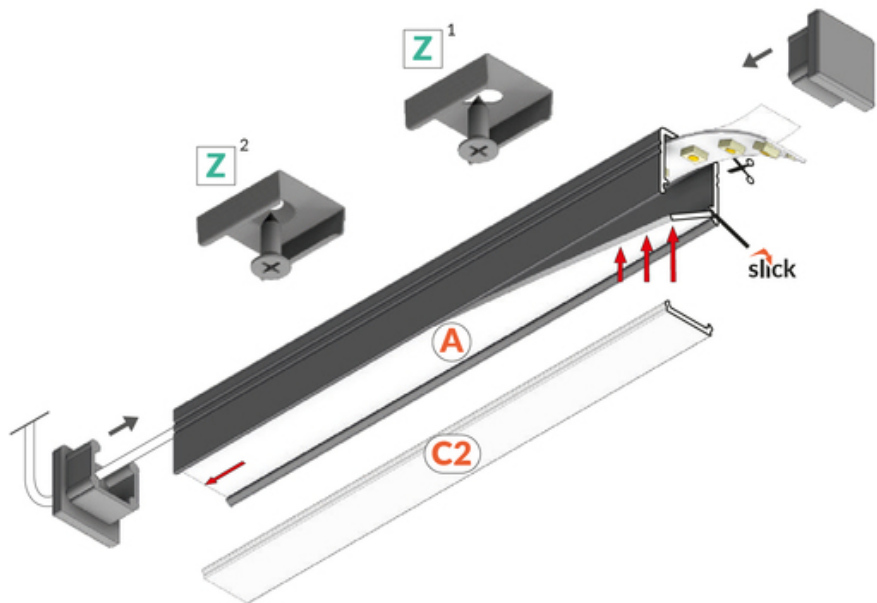
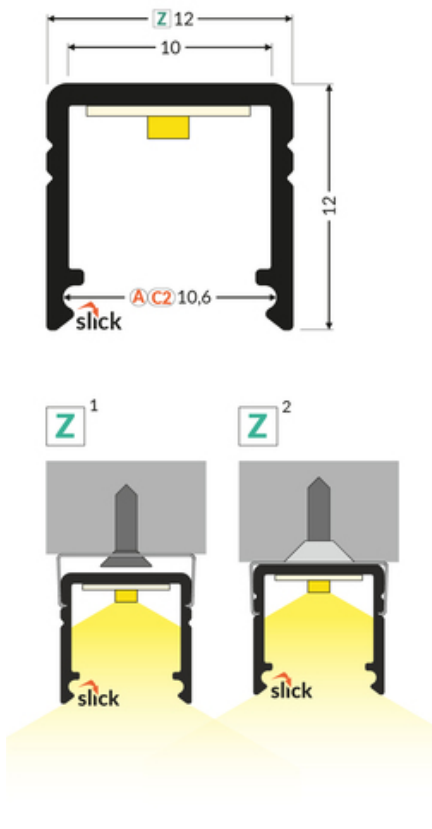
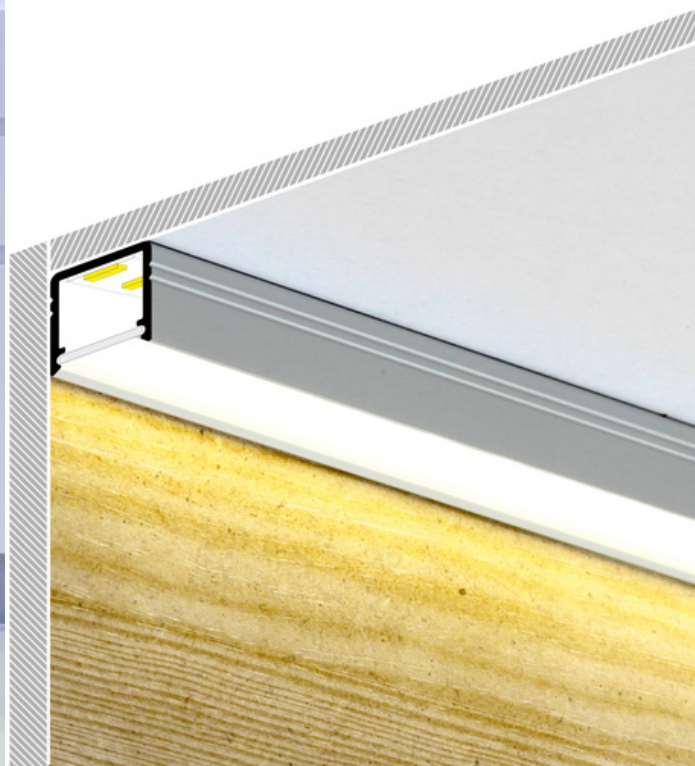


LED PROFILE SMART10 AC2/Z 1000 ANOD.



	<ul style="list-style-type: none">• continuous line of light (when using LED strip 120 P/m and opal diffuser)• Slick socket• miniature dimensions• universal application• the possibility of using waterproof LED strips	<ul style="list-style-type: none">• EU industrial designs• CE• Made in Poland	<p>Buy product</p>
--	--	---	--------------------








Basic Informations

EAN: 5901597206088 Index: C2010020 Material: aluminium Color: anodized Length [mm]: 1000 Weight [kg]: 0.091 Net weight [kg]: 0.024 Country of origin: PL	Measurement unit: qty Product packaging dimensions [mm]: 1000 x 12 x 12 Bulk packing [qty]: 40 Master packaging type: Bulk Product with gross packaging weight [kg]: 3.64
---	---

AVAILABLE COLORS


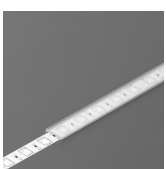

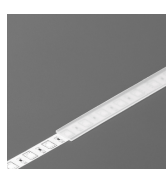

 <p>LED profile SMART10 AC2/Z 1000 white painted /plastic bag C2010001</p>	 <p>LED profile SMART10 AC2/Z 1000 raw alu. C2010000</p>	 <p>LED profile SMART10 AC2/Z 1000 black anod. /plastic bag C2010021</p>
---	---	---

AVAILABLE VARIANTS

1000 mm, 2000 mm, 3000 mm, 4050 mm

Matching elements

DIFFUSERS

 <p>diffuser C2 click 1000 opal index: 89000138</p>	 <p>diffuser C2 click 1000 transparent index: 89000116</p>	 <p>diffuser A slide 1000 opal index: 89000638</p>
 <p>diffuser A slide 1000 frosted index: 89000639</p>	 <p>diffuser A slide 1000 transparent index: 89000616</p>	

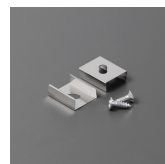
MOUNTINGS



**mounting plate Z inox
[500pcs]**
index: 89270019W



**mounting plate Z cone
inox [500pcs]**
index: 89980019W



**mounting plate Z inox
[20pcs]**
index: 89270019



**mounting plate Z cone
inox [20pcs]**
index: 89980019

END CAPS



**end cap SMART10 grey
[20pcs]**
index: C2940022



**end cap SMART10 silver
[20pcs]**
index: C2940040



**end cap SMART10 with
hole grey [20pcs]**
index: C2960022



**end cap SMART10 with
hole silver [20pcs]**
index: C2960040

CONNECTORS



**connector SMART10
90deg anod. /plastic bag**
index: C2910020